

West Bend®

4-SLICE EGG & MUFFIN TOASTER®

Instruction Manual



Register this and other Focus Electrics products through our website:
www.registerfocus.com

Important Safeguards.....	2
Before Using for the First Time	3
Using Your Egg & Muffin Toaster®	4
Cleaning Your Egg & Muffin Toaster®	7
Helpful Hints.....	7
Recipes	8
Warranty.....	9

SAVE THIS INSTRUCTION MANUAL FOR FUTURE REFERENCE

IMPORTANT SAFEGUARDS



CAUTION

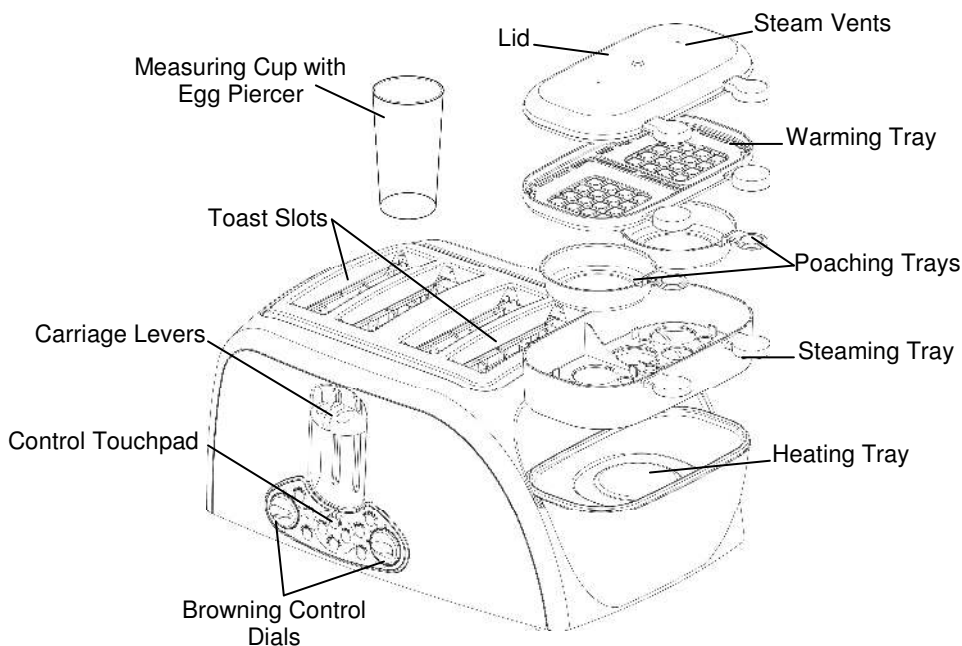
To prevent personal injury or property damage, read and follow all instructions and warnings.

When using electrical appliances, basic safety precautions should always be followed including:

- Read all instructions.
- Do not touch hot surfaces. Use handles or knobs.
- To protect against fire, electric shock, and injury to persons do not immerse cord, plugs, or other electric parts in water or other liquids.
- Close supervision is necessary when this appliance is used by or near children.
- Always unplug from outlet when not in use and before cleaning. Allow to cool before putting on or taking off parts and before cleaning.
- Do not operate any appliance with a damaged cord or plug, after the appliance malfunctions, or has been damaged in any manner. For service information see warranty page.
- The use of accessory attachments not recommended by Focus Electrics may cause fire, electric shock, or injury.
- Do not use this appliance outdoors.
- Do not let cord hang over the edge of the table or counter, or touch hot surfaces.
- Do not place on or near a hot gas or electric burner, or in a heated oven.
- Attach plug to appliance first, then plug cord into wall outlet. To disconnect, turn any control to "OFF," then remove plug from wall outlet.
- Do not use appliance for other than intended use.
- Extreme caution must be used when moving an appliance containing hot oil or other hot liquids.
- Do not attempt to repair this appliance yourself.
- A short power-supply cord is provided to reduce risks resulting from becoming entangled in or tripping over a longer cord.
- Longer extension cords are available, but care must be exercised in their use. While use of an extension cord is not recommended, if you must use one, ensure that the marked electrical rating of the extension cord is equal to or greater than that of the appliance. If the plug is of the grounded type, the extension cord must be a grounding-type 3-wire cord. To avoid pulling, tripping or entanglement, position the extension cord so that it does not hang over the edge of the counter, table or other area where it can be pulled on by children or tripped over.
- Do not use an outlet or extension cord if the plug fits loosely or if the outlet or extension cord feels hot.
- Avoid contact with moving parts.
- Oversized foods, metal foil packages, or metal utensils must not be inserted in a toaster as they may involve a risk of fire or electric shock.
- A fire may occur if the appliance is covered or touching flammable material, including curtains, draperies, walls, and the like, when in operation.
- Do not attempt to dislodge food when toaster is plugged in.

- Avoid toasting foods with frostings or fillings that may run or that are made with open fillings. Frostings and fillings can catch fire.
- Do not toast pastries, tarts and the like at any setting other than the lowest or lightest setting and never toast twice as these items can ignite if over-heated and cause fire.
- Failure to clean and replace crumb tray after each use may result in fire hazard.
- Lift and open the egg cooker lid carefully to avoid scalding.
- Do not attempt to operate the egg poacher without water in the reservoir.
- **For household use only.**

SAVE THESE INSTRUCTIONS



BEFORE USING FOR THE FIRST TIME

Please check all packaging material carefully before discarding. Many accessory parts are contained within the packaging material.

See "Cleaning your Egg & Muffin Toaster[®]" section of this manual.

Be sure the carriage lever is not in the locked down position before plugging in the power cord.

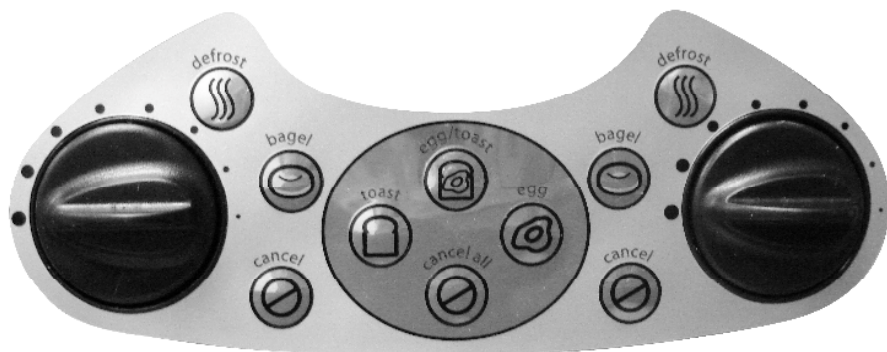
Before placing any food items in the toaster slots, plug in the appliance, select the "TOAST" function and run an initial cycle. Make sure the toasting slots are free of any debris or packing materials. Press the carriage lever down until it locks in position. This initial toasting cycle will clean residue from the heating elements.

Please note that a small amount of smoke and/or odor may occur upon heating due to the release of manufacturing oils - this is normal. Some minor expansion/contraction sounds may occur during heating and cooling - this is also normal.

CAUTION: Do not immerse any part of the base appliance in water or any other liquid.

USING YOUR EGG & MUFFIN TOASTER®

Egg & Muffin Toaster® Control Buttons



“TOAST” - Operates the toaster only.

“EGG/TOAST” - Operates the toasting and egg poaching/cooking functions together. Note: Bread will toast at the same time as the eggs cook. Toast will remain in the slots to keep warm until the eggs have completed cooking. When eggs are done, the toast will pop up.

“EGG”- Operates the egg function only.

“CANCEL” - Turns the corresponding side off at any time during the cooking cycle.

“DEFROST” - Adds approximately 30 seconds to the current browning control setting. **Note:** “BAGEL” and “DEFROST” may be used in any combination with the “TOAST” or “EGG/TOAST” functions.

“BAGEL” - Toasts one side of the bread.

“CANCEL ALL” - Turns both sides of the appliance off at any time during the cooking cycle. Use “CANCEL” if only turning appliance off on one side.

Toaster Only Function:

1. Place the appliance on a clean, dry, flat surface.
2. Place the food to be toasted into one or both of the slot sets.
3. Select the desired level of darkness by adjusting the browning control knob(s).
4. Plug the appliance into a 120 volt, AC electrical outlet **only**.
5. If toasting bread, push the “TOAST” button on the touchpad. The “TOAST” button will flash, indicating the function is selected. If toasting bagels, push the “BAGEL” button on the touchpad. The “BAGEL” and “TOAST” buttons will flash, indicating that the “BAGEL” setting is selected.
6. Press the carriage lever(s) down until locked in position. The “TOAST” button will be illuminated solid to indicate the toasting cycle is in operation. **Note:** The carriage lever(s) will not stay down if the appliance is not plugged into an electrical outlet.

7. When the selected browning level of toast is reached, the toast will automatically pop up and the "TOAST" light will turn off.
8. To remove the toast from the toasting slots, push up on the carriage lever(s).
9. Unplug the appliance from the electrical outlet after each use.

The Cancel Function: Press the corresponding "CANCEL" button(s) to stop the toasting cycle(s) before they finish. Or, the "CANCEL ALL" button, found in the center of the control panel, will stop both toasting cycles. Do not pull up on the carriage lever(s) to stop the toasting process as this may damage the appliance.

Egg Poaching:

CAUTION: Use extreme care when operating the egg poacher as hot steam is released through the steam vents.

1. Place the appliance on a clean, dry, flat surface and remove the lid and trays. Fill the measuring cup with water to the "soft" or "medium" line above the "POACHED EGG" mark and pour into the heating tray, or add 2 to 2½ tablespoons of water into the heating tray.
2. Place the steaming tray on top of the heating tray.
3. We recommend applying a small amount of butter or oil to the poaching tray(s). Break an egg into the poaching tray(s) and place the poaching tray(s) on top of the steaming tray. If desired, break the egg yolk by poking it with a fork. The egg may also be scrambled.
4. Place the lid on top of the steaming tray.
5. Plug the appliance into a 120 volt, AC electrical outlet **only**.
6. Push the "EGG" button on the touchpad. The "EGG" button will illuminate to a solid color.
7. When the poaching is complete, the light will turn off.
8. Remove the poaching tray(s) and lid. **CAUTION:** Remove the lid and tray(s) carefully to avoid scalding.
9. Unplug the appliance from the electrical outlet after each use.

Egg Cooking:

1. Place the appliance on a clean, dry, flat surface and remove the lid and trays from the appliance.
2. Select the cooked consistency and number of eggs to be cooked. This appliance can cook up to 8 eggs at a time. Use the provided measuring cup or the below chart, add the corresponding amount of water to the heating tray to achieve desired results.
3. Place the steaming tray on the heating tray. Clean the eggs to be cooked by rinsing, then place them in the holes in the steaming tray.
4. Place the lid on top of the steaming tray.
5. Plug the appliance into a 120 volt, AC electrical outlet **only**.
6. Push the "EGG" button on the touch pad. The "EGG" button will illuminate to a solid color.
7. When cooking is complete, the light will turn off.
8. Remove the steaming tray and lid from the heating tray. **CAUTION:** Remove the steaming tray and lid carefully to avoid scalding.

- Unplug the appliance from the electrical outlet after each use.

Boiled Egg	Soft	Medium	Hard
# of Eggs	Tbsp. Water	Tbsp. Water	Tbsp. Water
1	3½	4½	7
2	3¼	4¼	6¾
3	2¾	3¾	6¼
4	2½	3½	6
5	2½	3½	5
6	2¼	3¼	4¾
7	2	2¾	4¼
8	1¾	2½	4

Egg & Toast Function (for breakfast sandwich):

- Place the appliance on a clean, dry, flat surface and remove the lid and trays from the appliance.
- Place the food to be toasted into one or both of the slot sets.
- Select the desired level of darkness by adjusting the browning control dial.
- Fill the measuring cup with water to the “soft” or “medium” line above the “POACHED EGG” mark and pour into the heating tray, or add 2 to 2½ tablespoons of water directly into the heating tray.
- Place the steaming tray on top of the heating tray.
- We recommend applying a small amount of butter or oil to the poaching tray(s). Break an egg into the poaching tray(s) and place the poaching tray(s) on top of the steaming tray. If desired, break the egg yolk by poking it with a fork. The egg may also be scrambled.
- Place the warming tray on top of the poaching tray(s) and add pre-cooked meat, if desired. **Note: DO NOT** use raw or uncooked meats in this appliance.
- Place the lid on top of the warming tray.
- Plug the appliance into a 120 volt, AC electrical outlet **only**.
- Push the “EGG/TOAST” button on the touchpad. The “EGG/TOAST” button will flash.
- Press the carriage lever(s) down until locked into position. The “EGG,” “TOAST,” and “EGG/TOAST” buttons will illuminate. **Note:** Neither the egg cooking, or the toasting process will start until the carriage lever(s) are locked down.

The Egg & Muffin Toaster® “EGG/TOAST” function enables synchronized toasting and egg cooking. The bread will toast to the color set by the browning control lever but will not pop up until the egg cycle has completed. The carriage will remain down, keeping the bread warm until the egg has completed cooking.

12. When both the egg cycle and toasting are complete, the appliance will automatically shut off and the toast will pop up. The “EGG,” “TOAST,” and “EGG/TOAST” button lights will no longer be illuminated, which signals the appliance has turned off.
13. To remove the toast from the toasting slots, lift up on the carriage lever(s).
14. Remove the lid and trays from the heating tray. Allow the remaining steam to dissipate. **CAUTION:** Remove the lid and tray carefully to avoid being scalded with steam.
15. Unplug the appliance from the electrical outlet after each use.

CLEANING YOUR EGG & MUFFIN TOASTER®

1. Unplug the appliance from the electrical outlet and allow to cool completely before cleaning.
2. Wipe down the exterior of the appliance with a damp cloth.
3. Thoroughly wash the heating tray, steaming tray, poaching trays, warming tray, and the lid in warm, soapy water.
4. The steaming tray, poaching trays, warming tray and the lid can be washed in the top rack of a dishwasher.
5. The heating tray may accumulate mineral deposits after use. To remove these deposits add ½ teaspoon concentrated vinegar and ½ cup water to the heating tray. With the lid in place, turn on the egg cooker function and allow the solution to boil for approximately 10 minutes. **CAUTION:** The water will be hot! After 10 minutes, press the “CANCEL” button, unplug the appliance, and let cool. When cooled, carefully dump out the remaining water, then wipe clean with a soft cloth.

CAUTION: Do not immerse any part of the appliance base (including the heating-tray) in water or any other liquid.

This appliance has no user serviceable parts.

HELPFUL HINTS

- Use caution when removing the trays from the toaster, steam will be released and could cause scalding.
- The egg cooker timing is controlled by the amount of water placed in the heating tray. The more water added, the longer the appliance will cook.
- We do not recommend using most non-stick cooking sprays in the poaching tray. If you do use a non-stick spray, be sure that it is a 100% oil cooking spray with no flours or binders.
- If you have issues with breakage when hard boiling eggs, puncture each egg, after cleaning, with the egg piercer located on the bottom of the measuring cup, then place them in the steaming tray, hole side up. This will prevent the eggs from cracking and possible spillover.
- Even pierced, there is still some possibility of egg expanding and leaking out of the shell. This is normal.

RECIPES

Egg & Muffin Sandwich

- 1 English muffin
- 1 Poached egg
- 1 Slice of pre-cooked Canadian Bacon, Ham, or Sausage Patty (optional)
- 1 Slice of Cheddar cheese

To assemble: Lay the poached egg on top of the English muffin half followed by the pre-cooked meat and then the slice of cheese. Top the sandwich with the other half of the English muffin.

Eggs Benedict

- 2 English muffins, split and open
- 4 Poached eggs
- 4 Slices of pre-cooked Canadian bacon

Salt and pepper to taste
Hollandaise sauce to taste (see recipe)

To assemble: Lay a slice of Canadian bacon on top of each English muffin half followed by a poached egg. Season with salt and pepper. Spoon Hollandaise sauce over the eggs.

Hollandaise Sauce

- 2 Egg yolks
- 4 tbs. Heavy cream
- 2 tbs. Butter
- 1 tbs. Lemon juice
- 1 tbs. White vinegar

Pinch of salt
Pinch of sugar
Chicken-broth (optional)
Dash of hot sauce

Combine all ingredients except the white vinegar and chicken broth in the top of a double boiler, over boiling water. Stir until thick, about 3 minutes. **Note:** Do not reheat or cover the pot. Thin if needed with the chicken broth. Stir in the vinegar immediately.

Eggs Benedict with Chicken

Prepare Eggs Benedict as directed except omit the Canadian bacon. Cut one skinless, boneless chicken breast into bite-size strips. Add 2 tbs. cooking oil to a medium skillet; cook and stir for 2 to 3 minutes or until no longer pink. Assemble the Eggs Benedict as usual.

Eggs Florentine

- 2 English muffins, split and open
- 4 Eggs

Steamed spinach leaves
Hollandaise sauce

Salt and pepper to taste

To assemble: Prepare this just like the Eggs Benedict recipe but replace the Canadian bacon with the spinach leaves. Lay the spinach leaves on top of each English muffin half followed by a poached egg. Season with salt and pepper. Spoon Hollandaise sauce over the eggs.

Smoked Salmon (lox) Bagel

- 1 Toasted plain bagel (or any bagel you like)
- 1 Tomato slice (optional)
- 1 Onion slice

Thin slices of lox (smoked salmon)
Plain cream cheese
Capers

To assemble: Spread cream cheese on one half of the bagel. Add thin slices of smoked salmon on top of the cream cheese. Top with a slice of tomato and onion; sprinkle with capers. Spread the other half of the bagel with cream cheese and place on top.

PRODUCT WARRANTY

Appliance 1 Year Limited Warranty

Focus Electrics, LLC ("Focus Electrics") warrants this appliance from failures in the material and workmanship for one (1) year from the date of original purchase with proof of purchase, provided the appliance is operated and maintained in conformity with the provided Instruction Manual. Any failed part of the appliance will be repaired or replaced without charge at Focus Electrics' discretion. This warranty applies to indoor household use only.

This warranty does not cover any damage, including discoloration, to any non-stick surface of the appliance. This warranty is null and void, as determined solely by Focus Electrics if the appliance is damaged through accident, misuse, abuse, negligence, scratching, or if the appliance is altered in any way.

THIS WARRANTY IS IN LIEU OF ALL IMPLIED WARRANTIES, INCLUDING WARRANTIES OF MERCHANTABILITY, FITNESS FOR A PARTICULAR PURPOSE, PERFORMANCE, OR OTHERWISE, WHICH ARE HEREBY EXCLUDED. IN NO EVENT SHALL FOCUS ELECTRICS BE LIABLE FOR ANY DAMAGES, WHETHER DIRECT, INDIRECT, INCIDENTAL, FORSEEABLE, CONSEQUENTIAL, OR SPECIAL, ARISING OUT OF OR IN CONNECTION WITH THIS APPLIANCE.

If you think the appliance has failed or requires service within its warranty period, please contact the Focus Electrics Customer Service Department at (866) 290-1851, or e-mail us at service@focuselectrics.com. A receipt proving the original purchase date will be required for all warranty claims, **hand written receipts are not accepted**. You may also be required to return the appliance for inspection and evaluation. Return shipping costs are not refundable. Focus Electrics is not responsible for returns lost in transit.

Valid only in USA and Canada

REPLACEMENT PARTS

Replacement parts, if available, may be ordered directly from Focus Electrics, LLC several ways. Order online at www.focuselectrics.com, e-mail service@focuselectrics.com, over the phone by calling (866)290-1851, or by writing to:

Focus Electrics, LLC
Attn: Customer Service
P. O. Box 2780
West Bend, WI 53095

To order with a check or money order, please first contact Customer Service for an order total. Mail your payment along with a letter stating the model or catalog number of your appliance, which can be found on the bottom or back of the unit, a description of the part or parts you are ordering, and the quantity you would like. Your check should be made payable to Focus Electrics, LLC.

Your state/province's sales tax and a shipping fee will be added to your total charge. Please allow two weeks for processing and delivery.

This manual contains important and helpful information regarding the safe use and care of your new Focus Electrics product. For future reference, attach dated sales receipt for warranty proof of purchase and record the following information:

Date purchased or received as gift: _____

Where purchased and price, if known: _____

Item number and Date Code (shown bottom/back of product): _____

West Bend®

4 FENTES EGG & MUFFIN TOASTER®

Mode d'emploi



Veuillez enregistrer cet appareil ainsi que vos autres produits Focus Electrics sur notre site Internet: www.registerfocus.com

Précautions Importantes	2
Avant la Première Utilisation	4
Utilisation de votre Grille-pain à Egg & Muffin Toaster®	4
Nettoyer votre Grille-pain à Egg & Muffin Toaster®	7
Astuces	7
Recettes	8
Garantie	9

CONSERVER CE MODE D'EMPLOI POUR UNE CONSULTATION ULTÉRIEURE

PRÉCAUTIONS IMPORTANTES



MISE EN GARDE

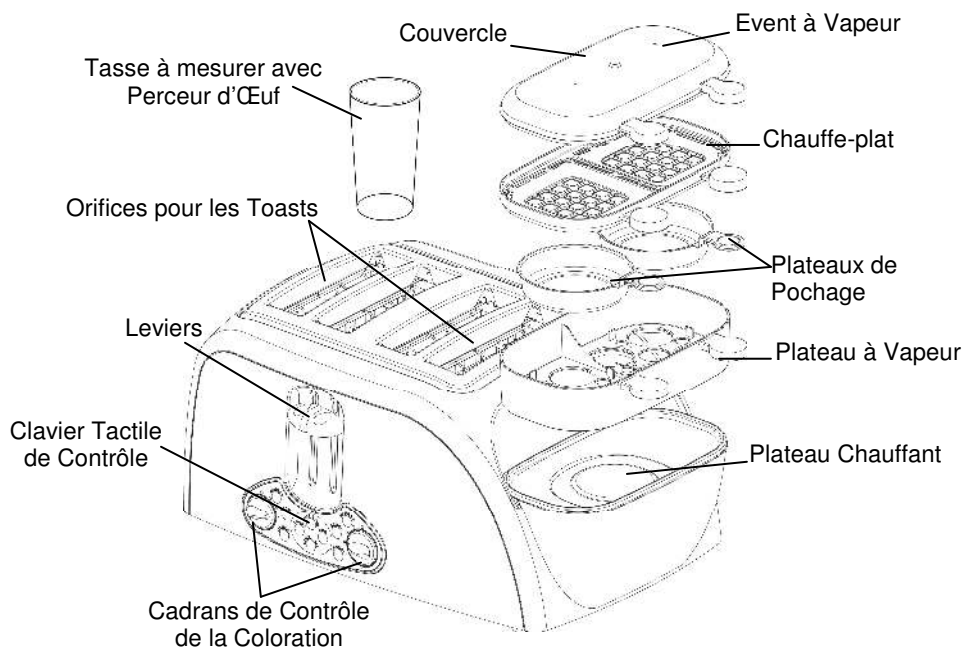
Afin de prévenir toute blessure ou tout dégât matériel, veuillez lire la totalité des instructions et des mises en garde.

Lorsque vous utilisez des appareils électriques, les précautions de sécurité élémentaires devraient toujours être suivies, notamment:

- Lisez la totalité des instructions.
- Ne touchez pas les surfaces à haute température. Utilisez les poignées carrées ou rondes.
- Afin de vous protéger contre l'incendie, l'électrocution et les blessures, veuillez ne pas plonger le cordon, les fiches, ou toute autre composant électrique dans de l'eau ni dans tout autre liquide.
- Une surveillance attentive est nécessaire lors de l'utilisation de cet appareil par des enfants ou à proximité de ceux-ci.
- Débranchez toujours l'appareil de la prise secteur lorsque vous ne l'utilisez pas et avant de le nettoyer. Laissez refroidir avant de mettre ou de retirer des pièces et avant le nettoyage.
- N'utilisez aucun appareil électrique ayant un cordon d'alimentation ou une fiche en mauvais état, après un dysfonctionnement de l'appareil, ou toute autre détérioration. Pour des informations sur les réparations, voir la page de garantie.
- L'utilisation d'accessoires non recommandés par Focus Electrics risque de provoquer un incendie, une électrocution ou une blessure.
- N'utilisez pas cet appareil en extérieur.
- Ne laissez pas le cordon d'alimentation pendre depuis l'extrémité d'une table ou d'un plan de travail, ni entrer en contact avec des surfaces à haute température.
- Ne placez pas l'appareil sur, ou à proximité, d'une gazinière chaude ou d'une plaque électrique, ou dans un four chaud.
- Commencez par brancher la fiche sur l'appareil, puis le cordon dans la prise secteur. Pour débrancher, réglez tous les boutons sur « OFF » (arrêt), puis retirez la fiche de la prise secteur.
- N'utilisez pas l'appareil pour un autre usage que celui pour lequel il a été conçu.
- Vous devez faire preuve d'une extrême prudence lorsque vous déplacez un appareil contenant de l'huile ou d'autres liquides à haute température.
- Ne tentez pas de réparer cet appareil vous-même.
- Un cordon d'alimentation électrique court est fourni afin d'éviter les risques de se prendre les pieds ou de trébucher sur un cordon d'alimentation plus long.
- Des cordons d'alimentation plus longs sont disponibles, mais il convient de faire preuve de prudence en les utilisant. Bien que l'utilisation d'un cordon de rallonge ne soit pas recommandée, si vous devez en utiliser un, assurez-vous que la puissance nominale indiquée sur le cordon de rallonge, soit supérieure ou égale à celle de l'appareil. Si la fiche est raccordée à la terre, le cordon de rallonge doit être un cordon à 3 brins, raccordé à la terre. Afin d'éviter que le cordon ne soit tiré ou que quelqu'un s'y prenne les pieds, positionnez le cordon de rallonge afin qu'il ne pende pas depuis l'extrémité du plan de travail, de la table ou de toute autre surface d'où il pourrait être tiré par des enfants ou faire trébucher quelqu'un.

- N'utilisez pas une prise secteur ou un cordon de rallonge si la fiche a du jeu ou si la prise secteur ou le cordon de rallonge vous semble chaud.
- Évitez tout contact avec les pièces en mouvement.
- Les aliments de grande taille, les emballages alimentaires en aluminium, et les ustensiles de cuisine en métal, ne doivent pas être mis dans un Grille-pain car ils risquent de provoquer un risque d'incendie ou d'électrocution.
- Un incendie risque de se produire si l'appareil est couvert ou en contact avec des matériaux inflammables, notamment des rideaux, des draperies, des cloisons, et tout matériau similaire, pendant son fonctionnement.
- Ne tentez pas de retirer des aliments lorsque le Grille-pain est branché.
- Evitez de faire cuire des aliments recouverts d'un glaçage ou garnis, pouvant fuir ou comportant des trous pouvant laisser sortir la garniture. Le glaçage et la garniture peuvent s'enflammer.
- Faites uniquement cuire les pâtisseries, tartes et gourmandises de même type sur le réglage le moins élevé, et ne jamais les toaster deux fois, car ces aliments peuvent s'enflammer s'ils sont trop chauffés, et peuvent causer un incendie.
- Manquer de nettoyer et de remettre le plateau à chapelure après utilisation, peut entraîner un risque d'incendie.
- Soulevez et ouvrez délicatement le couvercle du cuiseur d'œufs afin d'éviter de vous brûler.
- N'essayez-pas d'utiliser la pocheuse sans eau dans le réservoir.
- **Pour une utilisation domestique uniquement.**

CONSERVEZ CES CONSIGNES



AVANT LA PREMIÈRE UTILISATION

Veillez vérifier la totalité de l'emballage avec soin, avant de le jeter. De nombreuses pièces accessoires sont dans l'emballage.

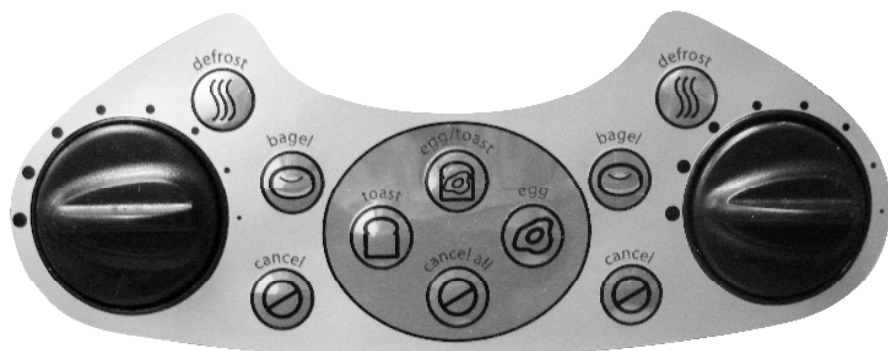
Voir la section « Nettoyage de votre Grille-pain à Egg & Muffin Toaster® » de ce manuel. Assurez-vous que le levier soit bloqué en bas, avant de brancher le cordon d'alimentation.

Avant de mettre des aliments dans les orifices du grille-pain, branchez l'appareil, choisissez la fonction « TOAST » (toaster) et utilisez du début à la fin, une fois. Assurez-vous que les orifices soient exempts de débris ou de matériaux d'emballage. Abaissez le levier du Grille-pain jusqu'à ce qu'il se verrouille en place. Le cycle initial de cuisson éliminera les résidus provenant des éléments chauffants. **Veillez noter qu'une petite quantité de fumée et/ou d'odeur d'huiles de fabrication peut se dégager au moment de la chauffe. C'est tout à fait normal. De petits bruits d'expansion/contraction peuvent être émis pendant le chauffage et le refroidissement. C'est tout à fait normal.**

PRECAUTION: N'immergez aucune pièce de l'appareil, dans de l'eau ou tout autre liquide.

UTILISATION DE VOTRE GRILLE-PAIN À EGG & MUFFIN TOASTER®

Boutons du Grille-pain à Egg & Muffin Toaster®



« **TOAST** » (toaster) – Ne fait fonctionner que le grille-pain.

« **EGG/TOAST** » (œuf/toaster) – Fait fonctionner la cuisson et les fonctions de pochage des œufs/cuisson. Remarque: le pain grillera en même temps que les œufs cuisent. Un toast restera dans les orifices pour rester au chaud, jusqu'à ce que les œufs soient complètement cuits. Lorsque les œufs sont cuits, le toast sortira.

« **EGG** » (œuf) – Ne fait fonctionner que la fonction Œuf.

« **CANCEL** » (annuler) – Eteint le côté correspondant à tout moment, lors de la cuisson.

« **DEFROST** » (décongeler) – Ajoute environ 30 secondes au réglage en cours du contrôle de la coloration. **Remarque:** « BAGEL » (bagel) et « DEFROST » (décongeler) peuvent être utilisés avec « TOAST » (toaster) ou « EGG/TOAST » (œuf/toaster).

« **BAGEL** » (bagel) – Fait cuire un côté du pain.

« **CANCEL ALL** » (annuler tous) – Eteint les deux côtés de l'appareil, à tout moment lors de la cuisson. N'utilisez « CANCEL » (annuler) que si l'appareil est éteint d'un côté.

Fonction Grille-pain Uniquement:

1. Mettez l'appareil sur une surface propre, plate et sèche.
2. Mettez la nourriture à faire cuire d'un côté ou des deux, des orifices.

3. Choisissez le niveau de coloration brune désiré en réglant les boutons de contrôle de la coloration.
4. Branchez le cordon d'alimentation sur une prise secteur 120 volts CA **uniquement**.
5. Si vous faites cuire du pain, appuyez sur le bouton « TOAST » (toaster) sur le clavier tactile. Le bouton « TOAST » (toaster) clignotera, indiquant que la fonction est sélectionnée. Si vous faites cuire des bagels, appuyez sur le bouton « BAGEL » (bagel) sur le clavier tactile. Les boutons « BAGEL » (bagel) et « TOAST » (toaster) clignoteront, indiquant que « BAGEL » (bagel) est sélectionné.
6. Abaissez le levier du Grille-pain jusqu'à ce qu'il se verrouille en place. Le bouton « TOAST » (toaster) s'allumera permanente, indiquant que la cuisson est commencée. **Remarque:** Le(s) levier(s) ne restera/restent pas vers le bas, si l'appareil n'est pas branché sur une prise secteur.
7. Lorsque la coloration de cuisson choisie sera atteinte, le toast sortira automatiquement et le voyant « TOAST » (toaster) s'éteindra.
8. Pour retirer le toast des orifices, appuyez sur le(s) levier(s).
9. Débranchez l'appareil de la prise secteur après chaque utilisation.

La fonction « CANCEL » (annuler): Appuyez sur le bouton « CANCEL » (annuler) correspondant pour arrêter toute cuisson avant la fin. Sinon, le bouton « CANCEL ALL » (annuler tous), se trouvant au centre du panneau de commande, arrêtera toutes les cuissons. Ne pas lever le levier pour arrêter les cuissons car l'appareil pourrait en être endommagé.

Pochage des Œufs:

PRECAUTION: Faire très attention en utilisant la pocheuse car de la vapeur chaude se dégage par les événements.

1. Mettre l'appareil sur une surface sèche, propre et plate, et retirer le couvercle et les plateaux. Remplir la tasse à mesurer avec de l'eau, jusqu'à la ligne « soft » (mollet) ou « medium » (moyen), au-dessus de la marque « POACHED EGG » (œuf poché) et verser sur le plateau chauffant, ou ajouter de 2 à 2 cuillères et demie de soupe d'eau, sur le plateau chauffant.
2. Mettre le plateau à vapeur, au sommet du plateau chauffant.
3. Nous conseillons de répartir une petite quantité de beurre ou d'huile, sur le plateau de pochage. Casser un œuf dans le plateau de pochage, et mettre le plateau de pochage au sommet du plateau à vapeur. Le cas échéant, éclater le jaune d'œuf en le perçant à l'aide d'une fourchette. L'œuf peut également être brouillé.
4. Mettre le couvercle au sommet du plateau à vapeur.
5. Brancher le cordon d'alimentation sur une prise secteur 120 volts CA **uniquement**.
6. Appuyer sur le bouton « EGG » (œuf) sur le clavier tactile. Il s'allumera permanente.
7. Lorsque le pochage sera terminé, le voyant s'éteindra.
8. Retirer le(s) plateau(x) de pochage et le couvercle. **PRECAUTION:** Retirer délicatement le couvercle et le(s) plateau(x), afin d'éviter tout risque de brûlure.
9. Débrancher l'appareil de la prise secteur après chaque utilisation.

Cuisson des Œufs:

1. Mettre l'appareil sur une surface sèche, propre et plate, et retirer le couvercle et les plateaux de l'appareil.
2. Choisir la consistance des œufs cuits et le nombre d'œufs à cuire. Cet appareil peut cuire jusqu'à 8 œufs en une fois. Utiliser la tasse à mesurer fournie, ou le tableau ci-dessous, ajouter la quantité d'eau correspondante sur le plateau chauffant pour obtenir les résultats désirés.

3. Mettre le plateau à vapeur sur le plateau chauffant. Nettoyer les œufs à cuire en les rinçant, puis les mettre dans les trous sur le plateau à vapeur.
4. Mettre le couvercle au sommet du plateau à vapeur.
5. Brancher le cordon d'alimentation sur une prise secteur 120 volts CA **uniquement**.
6. Appuyer sur le bouton « EGG » (œuf) du clavier tactile. Il s'allumera permanente.
7. Lorsque la cuisson sera terminée, le voyant s'éteindra.
8. Retirer le plateau à vapeur et le couvercle du plateau chauffant. **PRECAUTION:** Retirer délicatement le couvercle et le plateau à vapeur afin d'éviter tout risque de brûlure.
9. Débrancher l'appareil de la prise secteur après chaque utilisation.

Œuf à la Coque	Mollet	Moyen	Dur
Nbre d'œufs	C. à soupe d'eau	C. à soupe d'eau	C. à soupe d'eau
1	3½	4½	7
2	3¼	4¼	6¾
3	2¾	3¾	6¼
4	2½	3½	6
5	2½	3½	5
6	2¼	3¼	4¾
7	2	2¾	4¼
8	1¾	2½	4

Fonction Œuf et Toast (pour un sandwich au petit-déjeuner):

1. Mettre l'appareil sur une surface sèche, propre et plate, et retirer le couvercle et les plateaux de l'appareil.
2. Mettre la nourriture à faire cuire d'un côté ou des deux, des orifices.
3. Choisir le niveau de coloration brune désiré en réglant le bouton de réglage de la coloration.
4. Remplir la tasse à mesurer avec de l'eau, jusqu'à la ligne « soft » (mollet) ou « medium » (moyen), au-dessus de la marque « POACHED EGG » (œuf poché) et verser sur le plateau chauffant, ou ajouter de 2 à 2 cuillères et demie à soupe d'eau, directement sur le plateau chauffant.
5. Mettre le plateau à vapeur, au sommet du plateau chauffant.
6. Nous conseillons de répartir une petite quantité de beurre ou d'huile, sur le(s) plateau(x) de pochage. Casser un œuf dans le plateau de pochage, et mettre le plateau de pochage au sommet du plateau à vapeur. Le cas échéant, éclater le jaune d'œuf en le perçant à l'aide d'une fourchette. L'œuf peut également être brouillé.
7. Mettre le chauffe-plat au sommet du plateau de pochage, et ajouter de la viande précuite au besoin. **Remarque: NE PAS** utiliser de viande crue sur cet appareil.
8. Mettre le couvercle au sommet du chauffe-plat.
9. Branchez le cordon d'alimentation sur une prise secteur 120 volts CA **uniquement**.
10. Appuyer sur le bouton « EGG/TOAST » (œuf/toaster) sur le clavier tactile. Le bouton « EGG/TOAST » (œuf/toaster) clignotera.
11. Abaissez le(s) levier(s) jusqu'à ce qu'il se verrouille en place. Les boutons « EGG » (œuf), « TOAST » (toaster), et « EGG/TOAST » (œuf/toaster) s'allumeront. **Remarque:** Ni la cuisson des œufs ni celle des toasts ne commencera si le(s) levier(s) est/sont en bas.

La fonction « EGG/TOAST » (œuf/toaster) du Grille-pain à Egg & Muffin Toaster[®], permet de cuire les œufs et de toaster de façon synchronisée. Le pain cuira jusqu'à la coloration réglée au moyen du levier de contrôle de la coloration, mais ne sortira pas avant que la cuisson des œufs ne soit terminée. Le levier restera en bas, conservant le pain au chaud, jusqu'à ce que les œufs soient complètement cuits.

12. Lorsque la cuisson du pain et des œufs est terminée, l'appareil s'éteint automatiquement et le toast est éjecté. Les voyants « EGG » (œuf), « TOAST » (toaster), et « EGG/TOAST » (œuf/toaster) seront éteints, indiquant que l'appareil est éteint.
13. Pour retirer le toast des orifices, soulever le(s) levier(s).
14. Retirer les plateaux et le couvercle du plateau chauffant. Laisser la vapeur restante se dissiper. **PRECAUTION:** Retirer délicatement le couvercle et le plateau afin d'éviter de vous brûler avec la vapeur.
15. Débrancher l'appareil de la prise secteur après chaque utilisation.

NETTOYER VOTRE GRILLE-PAIN À EGG & MUFFIN TOASTER[®]

1. Débranchez le Grille-pain de la prise secteur et laissez refroidir complètement avant de procéder au nettoyage.
2. Essuyez l'extérieur de l'appareil à l'aide d'un chiffon humide.
3. Nettoyez à fond le plateau chauffant, le plateau à vapeur, les plateaux de pochage, le chauffe-plat, ainsi que le couvercle, à l'eau chaude et savonneuse.
4. Il est possible de laver le plateau à vapeur, les plateaux de pochage, le chauffe-plat et le couvercle, dans le panier supérieur d'un lave-vaisselle.
5. Le plateau chauffant peut accumuler des dépôts de minéraux après utilisation. Pour retirer ces dépôts, ajoutez ½ cuillère à café de vinaigre concentré et ½ tasse d'eau, sur le plateau chauffant. Le couvercle étant mis, allumez le cuiseur d'œufs et laissez la solution bouillir pendant environ 10 minutes. **PRECAUTION:** L'eau sera chaude ! Au bout de 10 minutes, appuyez sur le bouton « CANCEL » (annuler), débranchez l'appareil et laissez refroidir. Une fois refroidi, retirez délicatement l'eau restante, puis essuyez avec un chiffon doux.

PRECAUTIONS: N'immergez aucune pièce de l'appareil (notamment le plateau chauffant), dans de l'eau ou tout autre liquide.

Cet appareil ne contient aucune pièce réparable par l'utilisateur.

ASTUCES

- Faites attention en retirant les plateaux du grille-pain, de la vapeur se dégagera et pourrait vous brûler.
- La minuterie du cuiseur d'œufs dépend de la quantité d'eau mise sur le plateau chauffant. Plus vous ajoutez de l'eau, plus l'appareil cuira longtemps.
- Nous déconseillons d'utiliser la plupart des plateaux antiadhésifs de cuisson, sur le plateau de pochage. Si vous utilisez un pulvérisateur antiadhésif, assurez-vous qu'il soit adapté à 100% à la cuisson à l'huile, sans farine ou liant.
- Si vos œufs se cassent en cuisant, faites un trou dans chaque œuf, après nettoyage, à l'aide du perceur d'œufs se trouvant au fond de la tasse à mesurer, puis mettez-les sur le plateau à vapeur, le trou vers le haut. Les œufs ne craqueront pas et vous éviterez également des débordements potentiels.
- Même percé, un œuf peut toujours enfler et sa coquille fuir. C'est tout à fait normal.

RECETTES

Sandwich Muffin et Œuf

- | | |
|----------------------|----------------------------------------|
| 1 Muffin anglais | 1 tranche de Bacon canadien précuit, |
| 1 Œuf poché | de jambon ou Sausage Patty (en option) |
| 1 tranche de Cheddar | |

Pour faire le sandwich: Etalez l'œuf poché au sommet de la moitié du muffin anglais, suivi par la viande précuite, puis par la tranche de fromage. Recouvrez le sandwich de l'autre moitié du muffin anglais.

Œufs Benedict

- | | |
|--------------------------------------|-----------------------------------------------|
| 2 Muffins anglais, coupés et ouverts | Sel et poivre pour le goût |
| 4 Œufs pochés | Sauce hollandaise pour le goût (voir recette) |
| 4 tranches de Bacon canadien précuit | |

Préparation: Etalez une tranche de bacon sur chaque moitié de muffin anglais, suivie par un œuf poché. Assaisonnez de sel et de poivre. Répandez la sauce à la cuillère sur les œufs.

Sauce Hollandaise

- | | |
|--------------------------------|--------------------------------|
| 2 jaunes d'œuf | une pincée de Sel |
| 4 c. à soupe de Crème épaisse | Une pincée de Sucre |
| 2 c. à soupe de Beurre | Bouillon de poulet (en option) |
| 1 c. à soupe de Jus de citron | Un rien de sauce épicée |
| 1 c. à soupe de Vinaigre blanc | |

Mélangez tous les ingrédients, à l'exception du vinaigre blanc et du bouillon de poulet, au sommet d'un bain-marie, au-dessus de l'eau bouillante. Remuez jusqu'à ce que le tout s'épaississe; environ 3 minutes. **Remarque:** Ne faites pas trop chauffer ou couvrez le bain-marie. Allongez au besoin, à l'aide du bouillon de poulet. Ajoutez le vinaigre immédiatement en remuant.

Œufs Benedict au Poulet

Préparez les œufs Benedict comme indiqué, mais en omettant le bacon canadien. Découpez du blanc de poulet, sans os, sans peau, en tranches de la taille d'une bouchée. Ajoutez 2 c. à soupe d'huile de cuisson dans un poêlon de taille moyenne. Cuisez et remuez 2 à 3 minutes, ou jusqu'à ce que le tout ne soit plus rose. Assemblez les œufs Benedict comme d'habitude.

Œufs Florentine

- | | |
|--------------------------------------|------------------------------|
| 2 Muffins anglais, coupés et ouverts | Feuilles d'épinard en vapeur |
| 4 Œufs | Sauce Hollandaise |

Sel et poivre pour le goût

Préparation: Préparez en suivant la recette des œufs Benedict, mais remplacez le bacon canadien par des feuilles d'épinard. Etalez les feuilles d'épinard sur chaque moitié des muffins anglais, suivies par un œuf poché. Assaisonnez de sel et de poivre. Répandez une cuillère de sauce hollandaise sur les œufs.

Bagel au Saumon Fumé

- | | |
|-------------------------------------------------------|----------------------------------|
| 1 Bagel toasté ordinaire (ou le Bagel que vous aimez) | De fines tranches de saumon fumé |
| 1 tranche de Tomate (en option) | Fromage Philadelphia ordinaire |
| 1 tranche d'Oignon | Câpres |

Préparation: Etalez le fromage sur une moitié du Bagel. Ajoutez de fines tranches de saumon fumé sur le fromage. Recouvrez d'une tranche de tomate et d'oignon; saupoudrez de câpres. Etalez l'autre moitié du Bagel de fromage, et posez dessus.

GARANTIE DU PRODUIT

Garantie limitée de 1 an de l'appareil

Focus Electrics, LLC (« Focus Electrics ») garantit cet appareil contre tout défaut de pièces et de main d'œuvre pendant un (1) an à compter de la date d'achat d'origine avec un justificatif d'achat, à condition que l'appareil soit utilisé et entretenu conformément aux recommandations du Mode d'emploi fourni. Toute pièce défectueuse de l'appareil sera réparée ou remplacée sans frais à la discrétion de Focus Electrics. La présente garantie s'applique pour une utilisation domestique à l'intérieur uniquement.

Cette garantie ne prend pas en charge les dégâts, y compris la décoloration, subis par toute surface antiadhésive de l'appareil. Cette garantie est nulle et non avenue, tel que défini uniquement par Focus Electrics si l'appareil est détérioré par accident, mauvaise utilisation, utilisation abusive, négligence, rayure, ou si l'appareil est détérioré de quelque manière que ce soit.

LA PRÉSENTE GARANTIE ANNULE ET REMPLACE TOUTES LES GARANTIES INDUITES, NOTAMMENT LES GARANTIES DE COMMERCIALISATION, D'ADAPTATION À UN USAGE PARTICULIER, DE PERFORMANCE, OU AUTRE, QUI SONT ICI EXCLUES. EN AUCUN CAS FOCUS ELECTRICS NE POURRA ÊTRE TENUE POUR RESPONSABLE DE TOUT DÉGÂT, QUE CELUI-CI SOIT DIRECT, INDIRECT, SECONDAIRE, PRÉVISIBLE, INDUIT OU PARTICULIER, RÉSULTANT DE OU EN RAPPORT AVEC CET APPAREIL.

Si vous pensez que cet appareil est défectueux ou a besoin d'être réparé pendant la durée de sa garantie, veuillez contacter le Service clientèle de Focus Electrics au (866) 290-1851 ou nous adresser un e-mail à service@focuselectrics.com. Les frais d'expédition de retour sont non remboursables. Un justificatif prouvant la date d'achat d'origine sera exigé pour toutes les demandes de prise en charge dans le cadre de la garantie, **les factures manuscrites ne sont pas acceptées**. Focus Electrics n'est pas responsable pour les retours perdus pendant le transport.

Valable uniquement aux USA et au Canada

PIÈCES DE RECHANGE

Les pièces de rechange, lorsque celles-ci sont disponibles, peuvent être commandées directement auprès de Focus Electrics en ligne sur www.focuselectrics.com, ou vous pouvez téléphoner ou envoyer un e-mail au service entretien au numéro/à l'adresse e-mail ci-dessus, ou vous pouvez nous écrire à :

Focus Electrics, LLC
Attn: Service clientèle
P. O. Box 2780
West Bend, WI 53095

Assurez-vous d'inclure le numéro de catalogue/modèle de votre appareil (situé sur le dessous/à l'arrière de l'appareil) accompagné d'une description et de la quantité de la pièce que vous souhaitez commander. Ajoutez également votre nom, votre adresse postale, un numéro de carte Visa/MasterCard, une date d'expiration ainsi que le nom tel qu'il apparaît sur la carte. Vous pouvez payer par chèque à l'ordre de Focus Electrics, LLC. Appelez le Service clientèle pour obtenir le montant de l'achat. La taxe de vente de votre état ainsi que des frais d'expédition/de traitement seront ajoutés au total de la facture. Veuillez patienter deux (2) semaines pour la livraison.

Ce manuel contient des informations importantes et utiles concernant l'utilisation sans danger et l'entretien de votre nouveau produit Focus Electrics. Pour une consultation ultérieure, fixez le ticket de caisse daté pour servir de justificatif d'achat et inscrivez les informations suivantes:

Date d'achat ou de réception en cadeau: _____

Lieu d'achat et prix, si connus: _____

Numéro de l'article et Code de date (dessous/arrière de l'appareil): _____



TOSTADORA DE 4 REBANADAS EGG & MUFFIN TOASTER®

Manual de Instrucciones



Registre éste y otros productos de Focus Electrics en nuestro sitio:
www.focuselectrics.com en Internet

Precauciones Importantes.....	2
Antes de Utilizarse por Primera Vez.....	3
Cómo Utilizar su Tostadora Egg & Muffin Toaster®	4
Limpieza de su Tostadora Egg & Muffin Toaster®	7
Consejos Prácticos.....	7
Recetas	8
Garantía	9

CONSERVE ESTE MANUAL DE INSTRUCCIONES PARA FUTURAS CONSULTAS

PRECAUCIONES IMPORTANTES



PRECAUCIÓN

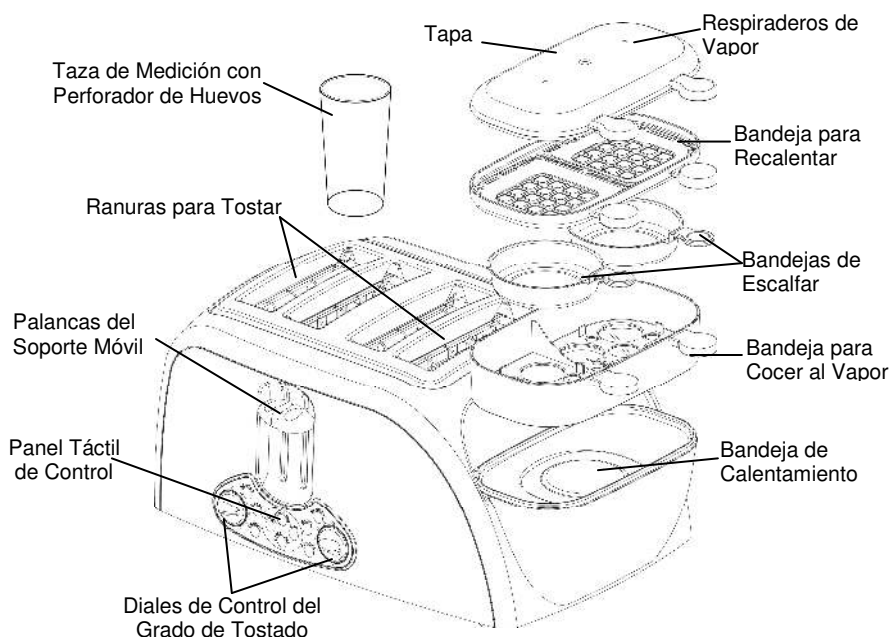
Para evitar lesiones personales o daños materiales, lea y siga todas las instrucciones y advertencias.

Al utilizar aparatos eléctricos, siempre deben acatarse las precauciones básicas de seguridad, entre ellas las siguientes:

- Lea todas las instrucciones.
- No toque las superficies calientes. Use las asas o perillas.
- Para protegerse contra los peligros de fuego, descargas eléctricas y lesiones no sumerja el cordón eléctrico, los enchufes u otras partes eléctricas en agua u otros líquidos.
- Se requiere una supervisión cercana cuando este aparato electrodoméstico sea usado por o cerca de niños.
- Siempre desenchufe el aparato electrodoméstico del tomacorriente cuando no esté en uso y antes de limpiarlo. Permita que se enfríe antes de colocarlo o quitarle piezas o antes de limpiarlo.
- No haga funcionar ningún aparato electrodoméstico que tenga el cordón eléctrico o el enchufe dañados, después de haber sufrido una falla o de haberse dañado de cualquier manera. Para información relacionada con el servicio de reparaciones vea la página de garantías.
- El uso de accesorios no recomendados por Focus Electrics puede causar incendios, descargas eléctricas o lesiones.
- No use este aparato electrodoméstico al aire libre.
- No permita que el cordón eléctrico cuelgue sobre el borde de una mesa o encimera, ni que toque superficies calientes.
- No lo coloque sobre o cerca de un calentador eléctrico o de gas, ni dentro de un horno caliente.
- Conecte el enchufe al aparato electrodoméstico primero, y luego enchufe el cordón eléctrico al tomacorriente de la pared. Para desconectarlo, coloque cualquier control en la posición "OFF" (apagado), y luego desenchúfelo del tomacorriente.
- No utilice el aparato electrodoméstico para usos distintos de los indicados.
- Debe tenerse extremo cuidado al mover cualquier aparato electrodoméstico que contenga aceite caliente u otros líquidos calientes.
- No trate de reparar este aparato electrodoméstico usted mismo.
- Se suministra un cordón eléctrico corto con el fin de reducir los riesgos de enredarse o de tropezar con un cordón más largo.
- Hay disponibles cables de extensión más largos, pero se debe tener cuidado al usarlos. Aunque no se recomienda utilizar un cable de extensión, si debe usar uno, asegúrese de que la capacidad eléctrica nominal marcada en el cable de extensión sea igual o mayor a aquella del aparato. Si el enchufe es del tipo conectado a tierra, el cable de extensión deberá ser un cordón eléctrico de 3 hilos con conexión a tierra. Para evitar halar, tropezar o enredarse con el cable de extensión, coloque éste de manera que no cuelgue sobre el borde de la encimera, mesa u otro lugar donde pueda ser halado por niños o tropezarse con el mismo.
- No use un tomacorriente o cable de extensión en el cual el enchufe calce flojamente, o si el tomacorriente o el cable de extensión se calientan.
- Evite cualquier contacto con las piezas móviles.
- Alimentos de gran tamaño, paquetes con papel de aluminio o utensilios metálicos no deben ser introducidos en una tostadora, ya que pueden suponer un riesgo de incendio o descarga eléctrica.

- Un incendio podría iniciarse si al artefacto en funcionamiento lo cubriesen o tocasen materiales inflamables, tales como cortinas, colgaduras, paredes, y similares.
- No intente retirar los alimentos cuando la tostadora esté enchufada.
- Evite tostar alimentos con glaseados o rellenos que puedan chorrear o que están hechos con rellenos abiertos. Los glaseados y rellenos pueden prenderse en fuego.
- No tueste pasteles, tartas y similares en ningún ajuste que no sea el ajuste más bajo y nunca los tueste dos veces puesto que si estos se sobrecalientan productos pueden prender fuego y causar un incendio.
- El no limpiar y volver a colocar la bandeja de migas después de cada uso puede resultar en un riesgo de incendio.
- Levante y abra la tapa del cocedor de huevos con cuidado a fin de evitar escaldaduras.
- No intente hacer funcionar el escalfador de huevos sin agua en el tanque.
- **Sólo para uso doméstico.**

CONSERVE ESTAS INSTRUCCIONES



ANTES DE UTILIZARSE POR PRIMERA VEZ

Revise con cuidado todo el material de empaque antes de desecharlo. Dentro del material de empaque se encuentran muchos accesorios.

Consulte la sección "Limpieza de la Tostadora Egg & Muffin Toaster[®]" de este manual. Asegúrese de que la palanca del soporte móvil no esté trancada en la posición inferior antes de enchufar el cordón eléctrico.

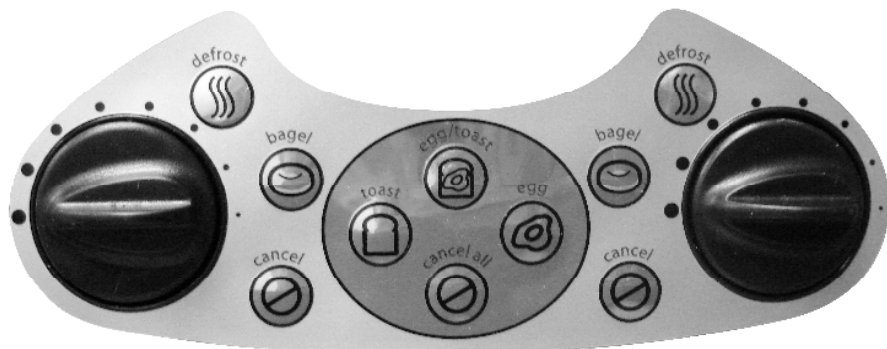
Antes de colocar cualquier alimento en las ranuras de tostar enchufe el aparato y seleccione la función "TOAST" (tostar) y opere un ciclo inicial. Asegúrese de que las ranuras de tostar no contengan ni basura ni materiales de empaque. Presione la palanca del soporte móvil hasta que encaje en su lugar. Este ciclo de tostado inicial limpiará los residuos que puedan haber en los elementos calentadores.

Una pequeña cantidad de humo y/o olor puede ocurrir al calentarse debido a la liberación de aceites usados en la fabricación; esto es normal. Algunos sonidos menores de extensión/contracción pueden ocurrir durante el calentamiento y enfriamiento; esto es normal.

PRECAUCIÓN: No sumerja ninguna parte de la base del aparato en agua ni en ningún otro líquido.

CÓMO UTILIZAR SU TOSTADORA EGG & MUFFIN TOASTER®

Botones de control de la Tostadora Egg & Muffin Toaster®



“**TOAST**” (tostar): hace funcionar a la tostadora sola.

“**EGG/TOAST**” (huevo/tostar): hace funcionar conjuntamente las funciones de tostar y de cocinar/escalfar huevos. Nota: El pan se tostará al mismo tiempo que los huevos se cocinan. El pan tostado permanecerá en las ranuras para mantener el calor hasta que los huevos hayan completado de cocerse. Una vez estén cocidos los huevos, el pan tostado saltará.

“**EGG**” (huevo): controla la función de los huevos solamente.

“**CANCEL**” (anular): apaga el lado correspondiente en cualquier momento durante el ciclo de cocción.

“**DEFROST**” (descongelar): añade aproximadamente 30 segundos al ajuste actual del control de grado de tostado. **Nota:** Las funciones “**BAGEL**” (bagel) y “**DEFROST**” (descongelar) puede ser usadas en cualquier combinación con las funciones “**TOAST**” (tostar) o “**EGG/TOAST**” (huevo/tostar).

“**BAGEL**” (bagel): tuesta un lado del pan.

“**CANCEL ALL**” (anular todo): apaga ambos lados del aparato en cualquier momento durante el ciclo de cocción. Usar “**CANCEL**” (anular) si sólo va a apagar un lado del aparato.

Función de Sólo Tostar:

1. Coloque el aparato sobre una superficie limpia, seca y a nivel.
2. Coloque los alimentos a ser tostados en una o ambas ranuras.
3. Seleccione el nivel deseado de tostado ajustando el/los dial(es) de control de tostado.
4. Enchufe el artefacto **solamente** a un tomacorriente de corriente alterna de 120 voltios.
5. Si va a tostar pan, pulse el botón “**TOAST**” (tostar) en el panel táctil. El botón “**TOAST**” (tostar) centelleará, indicando que la función ha sido seleccionada. Si va a tostar bagels, presione el botón “**BAGEL**” (bagel) en el panel táctil. Los botones “**BAGEL**” (bagel) y “**TOAST**” (tostar) centellearán, indicando que la función “**BAGEL**” (bagel) ha sido seleccionada.

6. Presione la(s) palanca(s) del/de los soporte(s) móvil(es) hasta que encaje(n) en su lugar. El botón "TOAST" (tostar) se iluminará fijamente para indicar que el ciclo de tostado está en operación. **Nota:** Las palancas de los soportes móviles no se quedarán enganchadas abajo en si el aparato no está enchufado a un tomacorriente.
7. Al alcanzar el nivel de tostado preseleccionado, la tostar saltará automáticamente y la lámpara "TOAST" (tostar) se apagará.
8. Para retirar la tostar de las ranuras de tostar, empuje hacia arriba la(s) palanca(s) del soporte móvil.
9. Desenchufe el aparato del tomacorriente después de cada uso.

Función "CANCEL" (anular): Apriete el botón "CANCEL" (anular) correspondiente para parar el ciclo de tostado antes de que éste termine. O el botón "CANCEL ALL" (anular todo) que se encuentra en el centro del panel de controles parará ambos ciclos de tostado. No hale la palanca del soporte móvil hacia arriba para parar el proceso de tostado ya que ello podría dañar el aparato.

Escalfado de Huevos:

PRECAUCIÓN: Tenga extremo cuidado al hacer funcionar la función de escalfar huevos ya que se libera vapor caliente por los respiraderos de vapor.

1. Coloque el aparato sobre una superficie limpia, seca y a nivel, y retire la tapa y las bandejas. Llene la taza de medición con agua hasta la línea "soft" (blando) o "medium" (medio) encima de la marca "POACHED EGG" (huevo escalfado) y viértala en la bandeja de calentamiento, o añada 2 a 2½ cucharadas de agua a la bandeja de calentamiento.
2. Coloque la bandeja para cocer al vapor encima de la bandeja de calentamiento.
3. Se recomienda aplicar una pequeña cantidad de mantequilla o aceite en la bandeja de escalfar. Rompa un huevo en la(s) bandeja(s) de escalfar y coloque la bandeja de escalfar encima de la(s) bandeja(s) para cocer al vapor. Si lo desea, rompa la yema de huevo picándola con un tenedor. El huevo también puede ser revuelto.
4. Coloque la tapa encima de la bandeja para cocer al vapor.
5. Enchufe el artefacto **solamente** en un tomacorriente de corriente alterna de 120 voltios.
6. Pulse el botón "EGG" (huevo) en el panel táctil. El botón "EGG" (huevo) se iluminará continuo.
7. Al terminar de escalfar, la lámpara se apagará.
8. Retire la(s) bandeja(s) de escalfar y la tapa. **PRECAUCIÓN:** Retire la tapa y la(s) bandeja(s) con cuidado para evitar quemaduras.
9. Desenchufe el aparato del tomacorriente después de cada uso.

Cocción de Huevos:

1. Coloque el aparato sobre una superficie limpia, seca y a nivel y retire las bandejas y la tapa del mismo.
2. Seleccione la consistencia de cocido y el número de huevos que van a cocerse. El aparato puede cocer hasta 8 huevos a la vez. Utilice siempre la taza de medir o la tabla a continuación, agregue la cantidad de agua correspondiente a la bandeja de calentamiento para obtener los resultados deseados.
3. Coloque la bandeja para cocer al vapor sobre la bandeja de calentamiento. Enjuague y limpie los huevos a cocer, y luego colóquelos en los agujeros en la bandeja para cocer al vapor.
4. Coloque la tapa encima de la bandeja para cocer al vapor.
5. Enchufe el artefacto **solamente** en un tomacorriente de corriente alterna de 120 voltios.

6. Presione el botón "EGG" (huevo) en el panel táctil. El botón "EGG" (huevo) se iluminará continuo.
7. Al completarse la cocción, la lámpara se apagará.
8. Retire la bandeja para cocer al vapor y la tapa de la bandeja de calentamiento.
PRECAUCIÓN: Retire con cuidado la bandeja para cocer al vapor y la tapa para evitar escaldarse.
9. Desenchufe el aparato del tomacorriente después de cada uso.

Huevo Pasado por Agua	Blando	Término Medio	Duro
No. de Huevos	Cdas. de Agua	Cdas. de Agua	Cdas. de Agua
1	3½	4½	7
2	3¼	4¼	6¼
3	2¼	3¼	6¼
4	2½	3½	6
5	2½	3½	5
6	2¼	3¼	4¼
7	2	2¼	4¼
8	1¼	2½	4

Función de Escalfar Huevos (para sándwich de desayuno):

1. Coloque el aparato sobre una superficie limpia, seca y a nivel y retire las bandejas y la tapa del mismo.
2. Coloque los alimentos a ser tostados en una o ambas ranuras.
3. Seleccione el nivel deseado de tostado ajustando el dial de control del grado de tostado.
4. Llene la taza de medición con agua hasta la línea "soft" (blando) o "medium" (medio) encima de la marca "POACHED EGG" (huevo escalfado) y viértala en la bandeja de calentamiento, o añada 2 a 2½ cucharadas de agua a la bandeja de calentamiento.
5. Coloque la bandeja para cocer al vapor encima de la bandeja de calentamiento.
6. Se recomienda aplicar una pequeña cantidad de mantequilla o aceite en la(s) bandeja(s) para cocer al vapor. Rompa un huevo en la bandeja de escalfar y coloque la bandeja de escalfar encima de la bandeja para cocer al vapor. Si lo desea, rompa la yema de huevo picándola con un tenedor. El huevo también puede ser revuelto.
7. Coloque la bandeja para recalentar encima de la(s) bandeja(s) de escalfar y añádale fiambres, si así lo desea. **Nota: NO** utilice carnes crudas o mal cocidas en este aparato.
8. Coloque la tapa encima de la bandeja para recalentar.
9. Enchufe el artefacto **solamente** en un tomacorriente de corriente alterna de 120 voltios.
10. Pulse el botón "EGG/TOAST" (huevo/tostar) en el panel táctil. El botón "EGG/TOAST" (huevo/tostar) centelleará.
11. Presione la(s) palanca(s) de soporte móvil(es) hacia abajo hasta que quede asegurada en su posición. Los botones "EGG" (huevo), "TOAST" (tostar) y "EGG/TOAST" (huevo/tostar) se iluminarán. **Nota:** Ni la cocción del huevo ni el proceso de tostado se iniciará hasta que la(s) palanca(s) de soporte móvil(es) quede(n) trancada(s).

La función "EGG/TOAST" (huevos/tostar) de la Tostadora Egg & Muffin Toaster® permite el tostado de pan y la cocción de huevos de manera sincronizada. El pan se tostará al grado ajustado en la palanca de control del grado de tostado, pero no saltará hasta que el ciclo de cocción del huevo se haya completado. El soporte móvil permanecerá abajo para mantener el pan caliente hasta que los huevos se hayan cocido.

12. Cuando tanto el ciclo de cocción de los huevos como el del tostado del pan se hayan completado, el aparato se apagará automáticamente y la tostar saltará automáticamente. Las lámparas de los botones "EGG" (huevo), "TOAST" (tostar) y "EGG/TOAST" (huevo/tostar) ya no estarán iluminadas, lo cual indica que el aparato se ha apagado.
13. Para retirar la tostada de las ranuras de tostar, empuje hacia arriba la(s) palanca(s) de soporte(s) móvil(es).
14. Quite la tapa y las bandejas de la bandeja de calentamiento. Permita que el vapor restante se disipe. **PRECAUCIÓN:** Retire la tapa y la bandeja con cuidado para evitar quemarse con el vapor.
15. Desenchufe el aparato del tomacorriente después de cada uso.

LIMPIEZA DE SU TOSTADORA EGG & MUFFIN TOASTER®

1. Desenchufe el artefacto del tomacorriente y permita que se enfríe completamente antes de limpiarlo.
2. Limpie el exterior del aparato con un paño suave y húmedo.
3. Lave a fondo la bandeja de calentamiento, la bandeja para cocer al vapor, la bandeja de escalfar, la bandeja para recalentar y la tapa en agua tibia y jabonosa.
4. La bandeja para cocer al vapor, las bandejas de escalfar, la bandeja para recalentar y la tapa se pueden lavar en la canasta superior de un lavavajillas.
5. La bandeja de calentamiento puede acumular depósitos minerales después de un uso prolongado. Para eliminar estos depósitos añada ½ cucharadita de vinagre concentrado y ½ taza del agua a la bandeja de calentamiento. Con la tapa su lugar, encienda la función de cocinar huevos y permita que la solución hierva durante aproximadamente 10 minutos. **PRECAUCIÓN:** ¡El agua estará caliente! Después de 10 minutos, presione el botón "CANCEL" (anular), desconecte el aparato y deje enfriar. Al enfriarse, bote el agua restante con cuidado, y a continuación limpie con un paño suave.

PRECAUCIÓN: No sumerja ninguna parte de la base de este aparato (incluso la bandeja de calentamiento) bajo agua o cualquier otro líquido.

Este aparato no contiene piezas reparables por el usuario.

CONSEJOS PRÁCTICOS

- Tenga cuidado al retirar las bandejas de la tostadora, puesto que se liberará vapor y puede causar quemaduras.
- El tiempo de operación del cocedor de huevos está controlado por la cantidad del agua colocada en la bandeja de calentamiento. Mientras más agua se agregue, más tiempo durará el artefacto cocinando.
- No recomendamos el uso de la mayoría de los aerosoles anti-adherentes para cocinar en la bandeja de escalfar. Si hiciese uso de un spray anti-adherente, asegúrese de que se trata de un spray de aceite de cocina 100%, sin harinas o aglutinantes.
- Si usted tiene problemas con la rotura de huevos al hervir huevos duros, después de limpiarlo, perfora cada huevo con el perforador de huevos que se encuentra en la parte inferior de la taza de medir, y luego colóquelos en la bandeja para cocer al vapor, con el agujero hacia arriba. Esto evitará que los huevos se rompan y derramen.
- Incluso cuando se han perforado, aún hay alguna posibilidad de que el huevo se expanda y se salga de la cáscara. Esto es normal.

RECETAS

HUEVO Y SÁNDWICH DE MOLLETE

- 1 Mollete inglés
 - 1 Huevo escafiado
 - 1 Rebanada de queso cheddar
 - 1 Rebanada de tocino canadiense, jamón o fritura de carne de salchicha (opcional)
- Preparación: Coloque el huevo escafiado encima de la mitad de mollete inglés seguido del fiambre y luego la rebanada de queso. Tape el sándwich con la otra mitad del mollete inglés.

HUEVOS BENEDICT

- 2 Molletes ingleses, picados por la mitad y abiertos
 - 4 Huevos escafiados
 - 4 Rebanadas de tocino canadiense
 - Sal y pimienta al gusto
 - Salsa holandesa al gusto (ver la receta)
- Preparación: Ponga una rebanada de tocino canadiense encima de cada mitad de mollete inglés seguido de un huevo escafiado. Sazone con la sal y pimienta. Con una cuchara, vierta la salsa holandesa sobre los huevos.

SALSA HOLANDESA

- 2 Yemas de huevo
- 4 cdas. Crema doble
- 2 cdas. Mantequilla
- 1 cdas. Zumo de limón
- 1 cda. Vinagre blanco
- Pizca de sal
- Pizca de azúcar
- Caldo de pollo (opcional)
- Gota de salsa picante

Combine todos los ingredientes excepto el vinagre blanco y caldo de pollo en la parte superior de un baño de María, sobre agua hirviente. Remueva hasta quedar esperó, aproximadamente unos 3 minutos. **Nota:** No caliente de nuevo ni cubra el pote. De ser necesario, diluya con el caldo de pollo. Vierta y remueva el vinagre inmediatamente.

HUEVOS BENEDICT CON POLLO

Prepare Huevos Benedict como se indica excepto que omita el tocino canadiense. Corte una pechuga de pollo deshuesada y sin piel en tiras del tamaño de un bocado. Añada 2 cucharadas de aceite para cocinar a una sartén mediana; cocine y remueva durante 2 a 3 minutos o hasta que ya no esté rosado. Arme los Huevos Benedict como de costumbre.

HUEVOS A LA FLORENTINA

- 2 Molletes ingleses, picados por la mitad y abiertos
 - 4 Huevos
 - Sal y pimienta al gusto
 - Hojas de espinaca cocidas al vapor
 - Salsa holandesa
- Preparación: Prepare esto de la misma manera que la receta de los Huevos Benedict, pero use hojas de espinaca en vez de tocino canadiense. Ponga las hojas de espinaca encima de cada mitad de mollete inglés seguido de un huevo escafiado. Sazone con la sal y pimienta. Con una cuchara, vierta la salsa holandesa sobre los huevos.

SALMÓN AHUMADO (SALMÓN CURADO) BAGEL

- 1 Bagel sencillo tostado (o cualquier bagel que le guste)
 - 1 Rebanada de tomate (opcional)
 - 1 Rebanada de cebolla
 - Rebanadas delgadas de salmón curado (salmón ahumado)
 - Queso crema sencillo
 - Alcaparras
- Preparación: Unte el queso crema sobre una mitad del bagel. Añada rebanadas delgadas de salmón ahumado encima del queso crema. Cubra con una rodaja de tomate y de cebolla; espolvorear con las alcaparras. Unte queso crema en la otra mitad del bagel y colóquelo encima.

GARANTÍA DEL PRODUCTO

Garantía limitada de 1 año del artefacto electrodoméstico

Focus Electrics, LLC ("Focus Electrics") garantiza que este aparato no presentará fallas de material ni fabricación durante un (1) año a partir de la fecha original de compra con prueba de dicha compra, siempre y cuando el aparato sea operado y mantenido tal como se indica en el manual de instrucciones provisto. Toda pieza del aparato que presente fallas será reparada o reemplazada sin costo alguno a criterio de Focus Electrics. Esta garantía rige solamente para el uso domestico dentro de la casa.

Esta garantía no cubre ningún daño, incluyendo la decoloración, de superficie antiadherente alguna del aparato electrodoméstico. Esta garantía es nula y sin valor, según lo determine exclusivamente Focus Electrics si el artefacto electrodoméstico es dañado a causa de accidente, mal uso, abuso, negligencia, rayaduras, o si el artefacto electrodoméstico es cambiado de algún modo.

ESTA GARANTÍA REEMPLAZA A TODAS LAS DEMÁS GARANTÍAS IMPLÍCITAS, INCLUYENDO AQUÉLLAS DE COMERCIABILIDAD, IDONEIDAD PARA UN FIN O USO EN PARTICULAR, DESEMPEÑO, U OTROS TIPOS, LAS CUALES QUEDAN EXCLUIDAS MEDIANTE EL PRESENTE DOCUMENTO. FOCUS ELECTRICS RECHAZA TODA RESPONSABILIDAD POR DAÑOS, YA SEAN DIRECTOS, INDIRECTOS, INCIDENTALES, PREVISIBLES, CONSECUENTES O ESPECIALES QUE SURJAN DE ESTE APARATO ELECTRODOMÉSTICO O GUARDEN RELACIÓN CON EL MISMO.

Si piensa que el artefacto electrodoméstico se ha dañado o requiere de servicio dentro de su período de garantía, por favor póngase en contacto con el Departamento de Atención al Cliente de Focus Electrics por el (866) 290-1851 o contáctenos por correo electrónico a la service@focuselectrics.com. Para todas las reclamaciones de garantía, se requerirá un recibo que demuestra la fecha de compra original, los recibos escritos a mano no son aceptados.

También puede requerirse que usted devuelva el aparato para su inspección y evaluación. Los gastos de devolución no son reembolsables. Focus Electrics no se hace responsable de las devoluciones perdidas en tránsito.

Válido sólo en EE.UU. y Canadá

REPUESTOS

Los repuestos, de estar disponibles, pueden ser pedidos directamente a Focus Electrics, LLC de varias maneras. Ordene en línea a través de www.focuselectrics.com, por correo electrónico a service@focuselectrics.com, por teléfono llamando al (866) 290-1851, o escribiendo a:

Focus Electrics, LLC
Attn: Customer Service
P. O. Box 2780
West Bend, WI 53095

Para colocar un pedido con pago mediante cheque o giro postal, póngase en contacto primero con Atención al Cliente para que le indiquen el total de la orden. Envíe su pago junto con una carta que indique el número de modelo o catálogo de su aparato, que puede ubicarlo en la parte inferior o posterior de la unidad, una descripción de la parte o partes que usted solicita, y la cantidad que desea. Su cheque deberá ser hecho a nombre de Focus Electrics, LLC.

El impuesto sobre las ventas de su estado y un recargo por gastos de envío serán añadidos al precio total. Por favor permita un plazo de dos semanas para el procesamiento y entrega.

Este manual contiene información importante y útil sobre el uso seguro y el cuidado de su nuevo producto Focus Electrics. Para su propia referencia, archive aquí el recibo fechado que sirve de comprobante de compra para la garantía, y anote la siguiente información:

Fecha en que compró o recibió la unidad como regalo: _____

Dónde se efectuó la compra y el precio, si lo sabe: _____

Número y código de fecha del producto (aparece en la parte inferior/posterior de la unidad): _____

