

Your kitchen. Made better.  
**courant**<sup>TM</sup>  
by IMPECCA<sup>®</sup>



## Breakfast Hub

User Manual  
Manual de usuario  
Mode d'emploi

Model: **CBH-4601**

# TABLE OF CONTENTS

---

Important Safety Instructions	1
Parts	2
Features & Functions	3
Getting Started	3
Coffee Maker	4
Oven	4
Griddle	5
Care & Cleaning	6
Technical Support	6

*French and Spanish versions of this manual are available for download at [www.courantusa.com](http://www.courantusa.com).*

# IMPORTANT SAFETY INSTRUCTIONS

---

1. READ ALL INSTRUCTIONS. All users must read and understand this instruction manual before operating or cleaning this appliance.

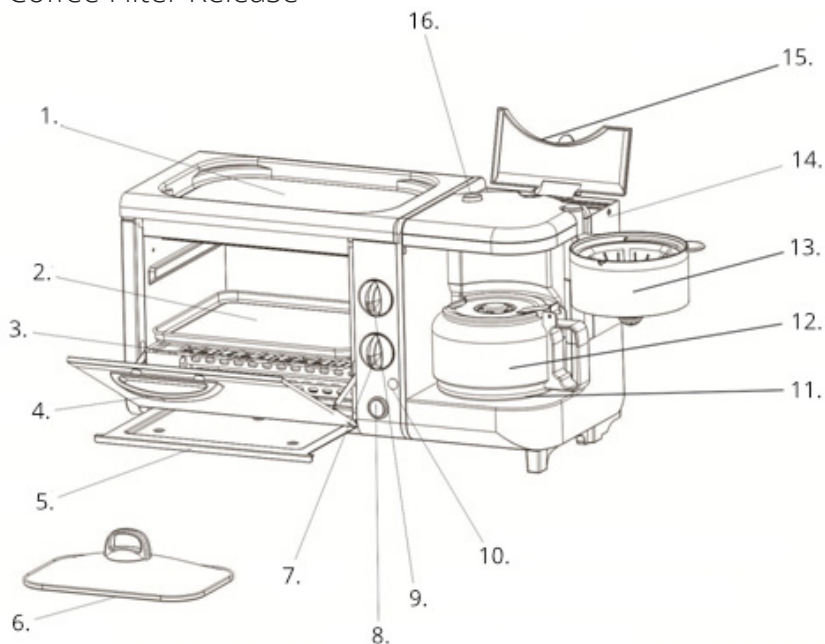
**CAUTION HOT SURFACES:** This appliance generates heat during use. Follow these safety precautions to prevent the risk of burns, fire or other damage to persons or property.

2. The cord to this appliance should be plugged into a 120 V AC electrical outlet only.
3. Use with wall receptacle only.
4. Use on a heat-resistant, flat level surface only.
5. Do not touch hot surfaces. Use the handles to open, close and move the appliance.
6. To protect against risk of electric shock, do not immerse the cord, plug or cooking unit in water or any other liquid.
7. This appliance should not be used by children.
8. Extreme caution must be exercised when any appliance is used near children.
9. Unplug from wall outlet before cleaning. Allow to cool before cleaning or storing this appliance.
10. Do not use outside or for commercial purposes. This appliance is for household use only.
11. Do not place on or near a heated oven, hot gas or electrical burner as it could cause the exterior to melt.
12. Do not leave this appliance unattended during use.
13. When in use, provide ventilation above and on all sides of the Breakfast Hub. Do not allow this appliance to touch curtains, wall coverings, clothing, dish towels or other flammable materials during use.
14. Do not place unit directly under a cabinet when using; this may result in excessive heat build-up.

# PARTS

## IN THE BOX

1. Griddle Pan (Packed separately)
2. Baking Tray
3. Wire Rack
4. Door Handle
5. Crumb Tray
6. Glass Lid
7. Timer Knob
8. Coffee On/Off Switch
9. Mode Selector
10. Oven / Griddle Power Indicator
11. Coffee Warming Plate
12. Coffee Pot
13. Coffee Filter Holder
14. Water Tank
15. Water Tank Cover
16. Coffee Filter Release



# FEATURES & FUNCTIONS

---

## BREAKFAST HUB OVERVIEW

Your CBH-4601 Breakfast Hub is an amazing little multi-function kitchen appliance that can make up to 5 cups of coffee, toast bread, bake, broil or reheat foods and even be used for griddle-cooking! Some of these functions operate independently of each other and some overlap, as you will see below.

## TOASTER OVEN FEATURES

- 9 liter capacity
- Toast, Oven and Broil functions
- 30 minute timer
- Power Indicator light
- Includes Crumb Tray, Bake Pan, and Rack
- 800 Watts

## COFFEE MAKER FEATURES

- Removable water tank with handle for easy filling
- Reusable filter basket with handle for easy cleaning
- Anti-drip feature
- 5 Cup capacity
- ON/OFF Switch with Light Indicator
- 650 Watts

## GRIDDLE FEATURES

- Removable large 10” Diameter griddle Pan with Glass Lid suitable for a Variety of Food.

# GETTING STARTED

---

## ASSEMBLY

Unit comes pre-assembled except for the griddle plate. It is necessary to place the griddle plate on the top of the unit before using the Toaster Oven or Griddle feature for the first time.

## USING THE COFFEE MAKER

Note: This is a manual coffee maker. When switched on, the coffee maker will continue to brew coffee until the water tank is empty. Then, the coffee warming plate will remain hot until the power switch is turned OFF.

**WARNING:** Never open coffee filter holder when coffee is brewing. There is, however, an anti-drip feature that prevents coffee from spilling if the *coffee pot* is removed while brewing.

## BREWING INSTRUCTIONS

1. Remove water tank and fill to desired level, up to five cups.
2. Replace tank and close lid.
3. Press Coffee Filter Release button to open the filter basket. Use the re-usable filter or a #1 cone style paper filter. Put coffee grounds in filter. Click coffee filter into closed position.
4. Ensure the glass coffee pot is placed under the filter. Turn Coffee On/Off switch (#8) to ON. Coffee will begin to brew and fill the coffee pot up to 5 cups, until the tank is emptied.
5. Leave power switch ON to keep coffee hot with the warming plate.
6. When the coffee pot is empty or will be removed from the Breakfast Hub for a length of time, switch power OFF. Wait for all elements to cool before removing coffee grounds and cleaning the coffee maker.

## USING THE OVEN

The Timer Knob turns the oven on and off. When the oven is on the Oven/Griddle power indicator is lit. Turn clockwise past 5 to activate oven. Turn counter-clockwise until the OFF position to manually turn it off. You should hear a bell whenever the unit turns off.

**CAUTION:** Ensure that there is nothing in or on the griddle as it might get hot. (The griddle can be used at the same time if the

oven is in **GRIDDLE & BROIL** mode.) Make sure that the griddle plate is in place.

1. For the **TOAST** mode, put bread directly on the wire rack; Turn the mode selector to **TOAST** and choose the desired time (Past 5, and up to 10 depending on properties of bread and desired darkness).
2. Use **OVEN** mode for reheating foods and baking food dishes. Use the included bake pan. (May not be suitable for cookies and cakes, as there isn't a precise temperature control.) Turn the Mode Selector to **OVEN** and choose the desired cooking time.
3. To **BROIL** foods, use the included bake pan. Broiling uses the top elements only. Turn the mode selector to **GRIDDLE & BROIL**. Turn the Timer Knob to the desired broiling time.
4. When timer bell sounds, open oven door to remove food safely with an oven mitt and/or utensil.

## USING THE GRIDDLE

The timer knob turns the griddle on and off. The Griddle may get warm anytime the oven is in any operation mode. When not using the griddle, the glass lid should always be in place. Never store anything on top of the Breakfast Hub.

When using the griddle for cooking, the mode selector should be on **GRIDDLE & BROIL**.

Note: While it is fine to broil foods at the same time that you're using the griddle, care should be taken that no other foods or objects are left in the oven while the griddle is being used.

1. Turn timer knob past 5 to desired cooking time
2. Place food on griddle
3. Replace glass lid
4. When food is cooked, open glass lid by the handle to remove food with plastic or wood utensils
5. Replace glass lid and allow griddle to cool before cleaning.

## CARE & CLEANING

---

**WARNING:** Always unplug breakfast hub and wait for it to completely cool before performing any type of cleaning.

### TOASTER OVEN CLEANING

- Remove crumb tray by pulling it out, straight towards you. Shake off any excess crumbs; Spray it with an all-purpose cleaner and use a non-abrasive scrubbing sponge to get off any excess grease.
- Remove the oven rack by lifting the front edge up at a 45° angle away from you, then pull towards you. Clean the same way as the crumb tray.
- For the oven itself, use a non-abrasive sponge sprayed with cleaner. Do not spray anything directly into the oven and avoid contacting any electrical elements.

### GRIDDLE CLEANING

- Remove griddle completely from the Breakfast Hub. This can be washed under running water with soap or other cleansers and a non-abrasive sponge. Allow to dry completely before returning to the Breakfast Hub.

### COFFEE MAKER CLEANING

- Rinse removable parts in warm water.
- Occasionally you can put equal parts of vinegar and water in the reservoir and run through a brewing cycle. Then run through plain water. This will clean up any residue. Repeat the clean water cycle if necessary.

## TECHNICAL SUPPORT

---

Before calling technical support, please visit our website at [www.courantusa.com](http://www.courantusa.com) for answers to Frequently Asked Questions and to contact us.

Email: [support@courantusa.com](mailto:support@courantusa.com)

Phone: +1 888-943-2111

Web: [www.courantusa.com](http://www.courantusa.com)

© 2016 Courant™ by Impecca, a division of LT Inc., Wilkes Barre, PA.

A